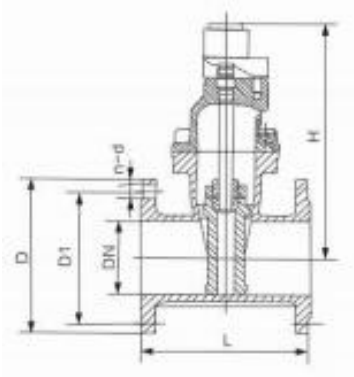


SZ45X



select Inquiry 公称通径DN(mm)		D		D1		n-d		L	H
		1.6Mpa	1.0Mpa	1.6Mpa	1.0Mpa	1.6Mpa	1.0Mpa		
50	165	125	125	4-19	4-19	178	200		
65	185	145	145	4-19	4-19	190	230		
80	200	160	160	8-19	8-19	203	270		
100	220	180	180	8-19	8-19	229	300		
125	250	210	210	8-19	8-19	254	390		
150	285	240	240	8-23	8-23	267	420		
200	340	295	295	8-23	12-23	292	520		
250	405	350	355	12-23	12-28	330	600		
300	460	400	410	12-23	12-28	356	700		