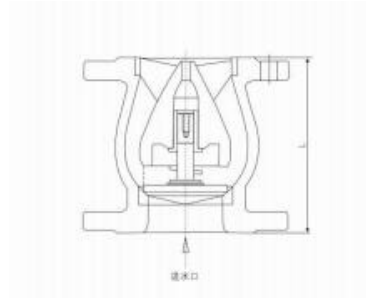


HC42X/DRVZ silent check valve



select Inquiry DN L

40	100
50	120
65	150
80	180
100	229
125	254
150	267
200	292
250	330
300	350
350	380
400	405
450	430
500	455